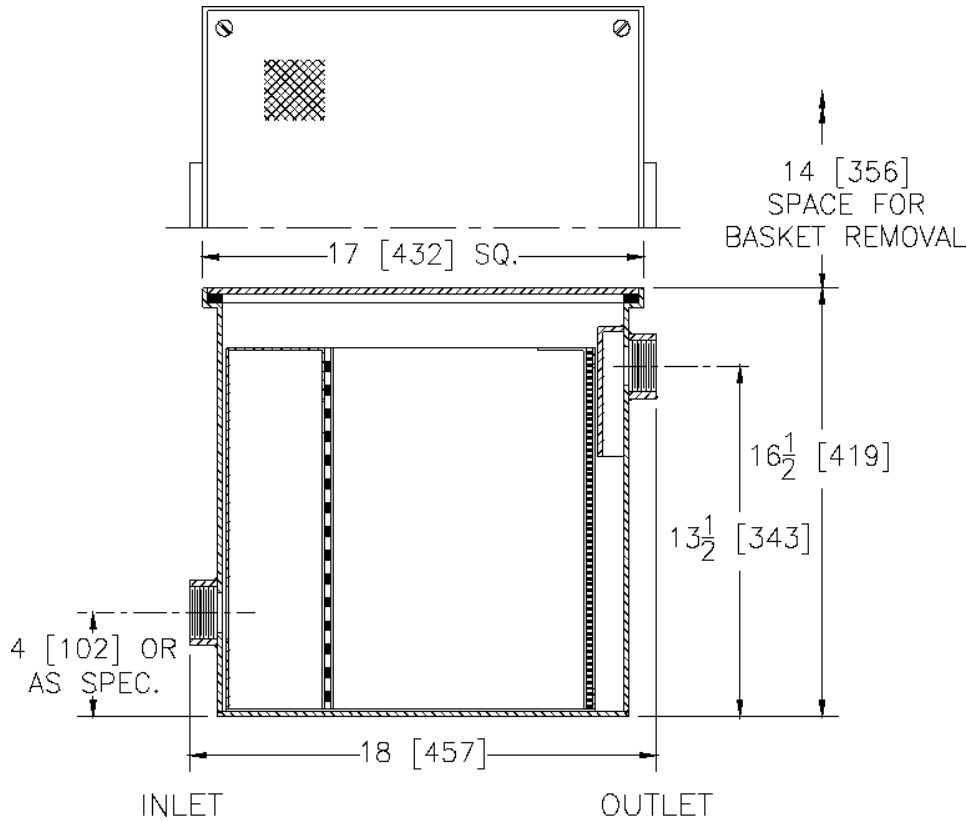




UKZ1181 HEAVY DUTY SOLIDS TRAP

Dimensional Data inches and mm where appropriate. Subject to Manufacturing Tolerances and Change Without Notice



Inlet / Outlet Inches	Flow Rate L/M	Approx. Wt. kg
1-1/2, 2	113	34

ENGINEERING SPECIFICATION: UKZ1181 Large capacity Acid Resistant Coated interior and exterior fabricated steel solids interceptor, in lieu of fixture 'P' trap, for on-floor or flush with floor installation. Supplied with a removable Acid Resistant Coated fabricated steel bucket having removable primary 10mm dia. holes and secondary 2mm dia. holes flow diffusing / intercepting brass screens, and complete with a top access gasket secured cover. Manufactured with 2" low inlet and high outlet.

PREFIXES

OPTIONS

Standard Assembly (See Engineering Specification)

- C S Custom Screens (Specify material & perforation size required)
- R Acid Resistant Coated Interior and Exterior Fabricated Steel Recessing Receiver for Recessed Installation is Equipped with Adjustable Support Brackets and Gasket Non-Skid secured cover with Covered Recessed Lift Handle
- SS Stainless Steel Perforated Screens for Bucket (Specify perforation size)
- YR Replacement Basket Assembly with Perforated Screens

UKh2o
50 Ferring Street
Ferring
BN12 5JP

Tel: 0845 1 700 500 Fax: 01903 249 569
Web: www.ukh2o.co.uk E-mail: info@ukh2o.co.uk