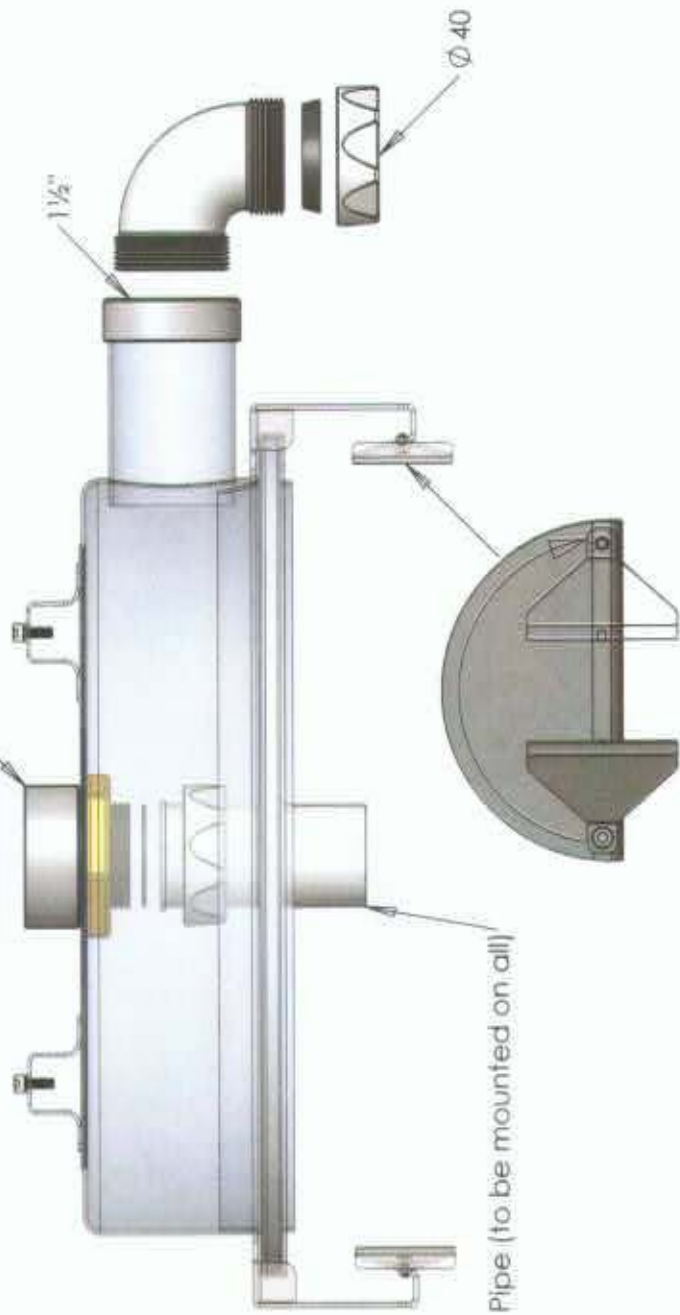
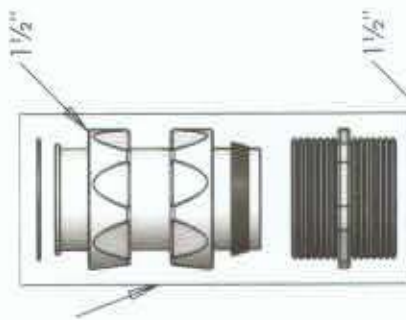
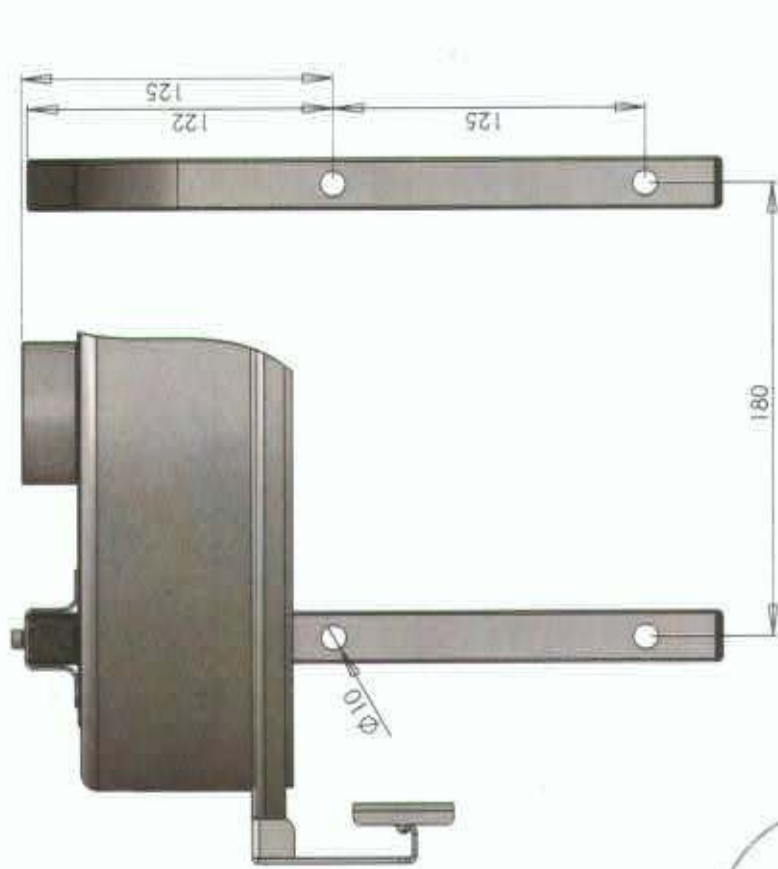




Parts to be used for adjusting the height



Pipe (to be mounted on all)



If you would like to change the outlet direction from standard right to a left version, change position of the stops